

SILICON NPN SWITCHING TRANSISTORS

- SGS-THOMSON PREFERRED SALESTYPES
- NPN TRANSISTOR
- VERY HIGH SWITCHING SPEED

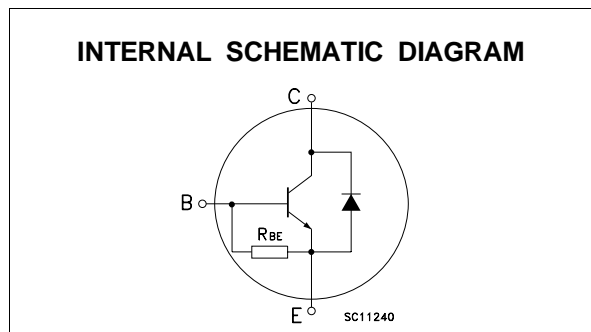
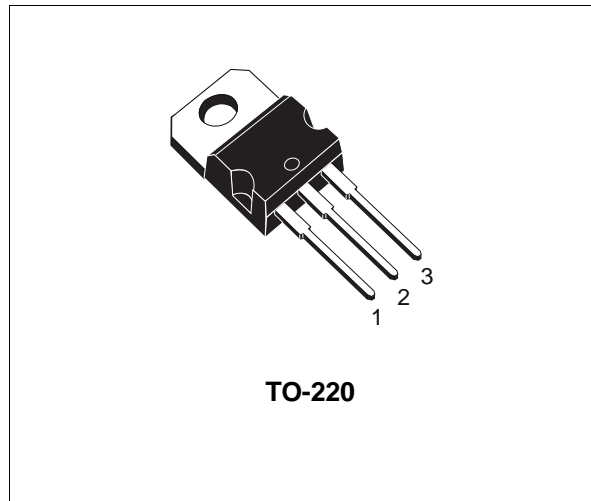
APPLICATIONS:

- HORIZONTAL DEFLECTION FOR MONOCHROME TV

DESCRIPTION

The BU406D and BU407D are silicon planar epitaxial NPN transistors with integrated damper diode, in Jedec TO-220 plastic package. They are fast switching, devices for use in horizontal deflection output stages of MTV receivers with 110° CRT.

The BU406D is primarily intended for large screen, while the BU407D is for medium and small screens



ABSOLUTE MAXIMUM RATINGS

Symbol	Parameter	Value		Unit
		BU406D	BU407D	
V_{CBO}	Collector-Base Voltage ($I_E = 0$)	400	330	V
V_{CEV}	Collector-Emitter Voltage ($V_{BE} = -1.5V$)	400	330	V
V_{EBO}	Emitter-Base Voltage ($I_C = 0$)	6		V
I_C	Collector Current	7		A
I_{CM}	Collector Peak Current (repetitive)	10		A
I_{CM}	Collector Peak Current ($t_p = 10ms$)	15		A
I_B	Base Current	4		A
P_{tot}	Total Dissipation at $T_C = 25^\circ C$	60		W
T_{stg}	Storage Temperature	-65 to 150		$^\circ C$
T_j	Max. Operating Junction Temperature	150		$^\circ C$

BU406D/BU407D

THERMAL DATA

R _{thj-case}	Thermal Resistance Junction-case	Max	2.08	°C/W
R _{thj-amb}	Thermal Resistance Junction-ambient	Max	70	°C/W

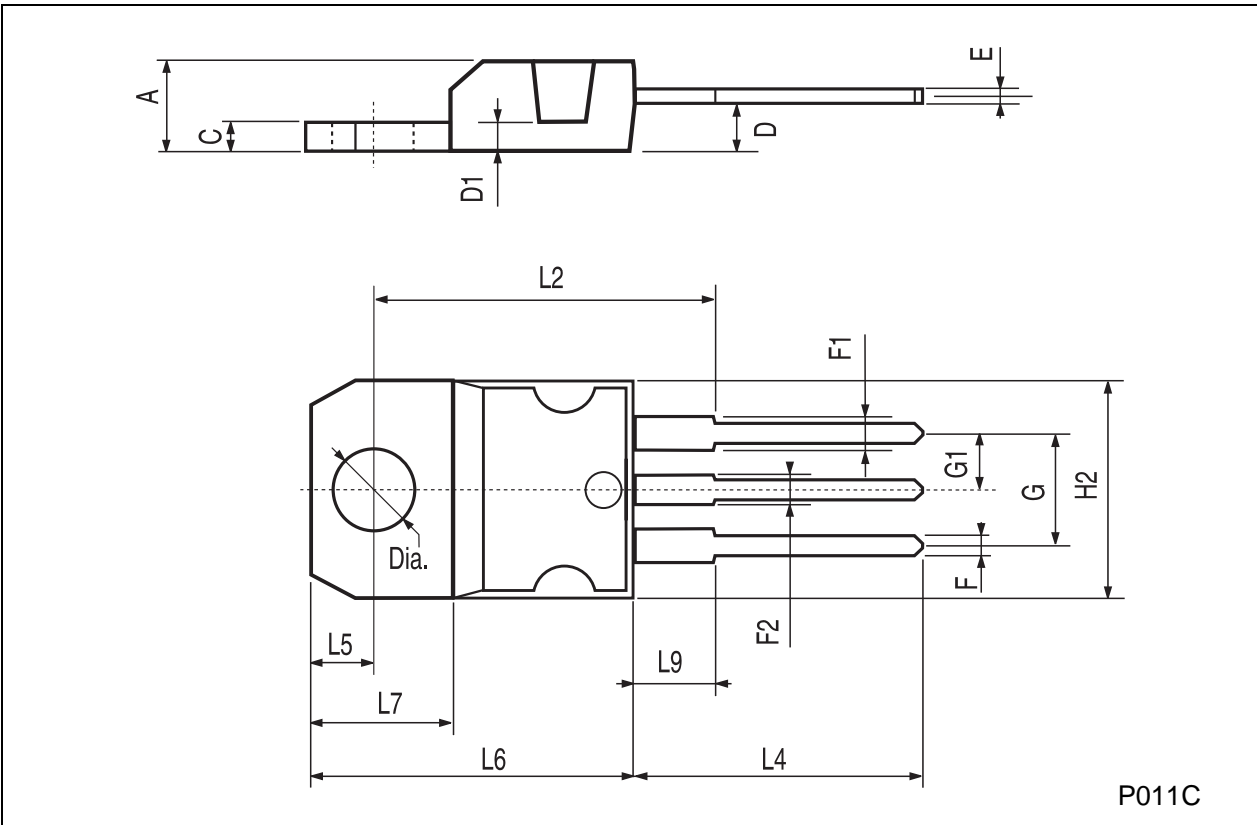
ELECTRICAL CHARACTERISTICS (T_{case} = 25 °C unless otherwise specified)

Symbol	Parameter	Test Conditions		Min.	Typ.	Max.	Unit
I _{CEV}	Collector Cut-off Current (V _{BE} = - 1.5V)	for BU406D V _{CE} = 400 V for BU407D V _{CE} = 330 V				15 15	mA mA
I _{EBO}	Emitter Cut-off Current (I _C = 0)	V _{EB} = 6 V				400	mA
V _{CE(sat)*}	Collector-emitter Saturation Voltage	I _C = 5 A	I _B = 0.65 A			1	V
V _{BE(sat)*}	Base-emitter Saturation Voltage	I _C = 5 A	I _B = 0.65 A			1.3	V
f _T	Transition-Frequency	I _C = 0.5 A	V _{CE} = 10V	10			MHz
t _{off**}	Turn-off Time	I _C = 5 A	I _{Bend} = 0.65 A			0.75	µs
I _{s/b}	Second Breakdown Collector Current	V _{CE} = 40 V	t = 10 ms		4		A
V _F	Diode Forward Voltage	I _F = 5 A				1.5	A

* Pulsed: Pulse duration = 300 µs, duty cycle 1.5 %.

TO-220 MECHANICAL DATA

DIM.	mm			inch		
	MIN.	TYP.	MAX.	MIN.	TYP.	MAX.
A	4.40		4.60	0.173		0.181
C	1.23		1.32	0.048		0.051
D	2.40		2.72	0.094		0.107
D1		1.27			0.050	
E	0.49		0.70	0.019		0.027
F	0.61		0.88	0.024		0.034
F1	1.14		1.70	0.044		0.067
F2	1.14		1.70	0.044		0.067
G	4.95		5.15	0.194		0.203
G1	2.4		2.7	0.094		0.106
H2	10.0		10.40	0.393		0.409
L2		16.4			0.645	
L4	13.0		14.0	0.511		0.551
L5	2.65		2.95	0.104		0.116
L6	15.25		15.75	0.600		0.620
L7	6.2		6.6	0.244		0.260
L9	3.5		3.93	0.137		0.154
DIA.	3.75		3.85	0.147		0.151



Information furnished is believed to be accurate and reliable. However, SGS-THOMSON Microelectronics assumes no responsibility for the consequences of use of such information nor for any infringement of patents or other rights of third parties which may result from its use. No license is granted by implication or otherwise under any patent or patent rights of SGS-THOMSON Microelectronics. Specifications mentioned in this publication are subject to change without notice. This publication supersedes and replaces all information previously supplied. SGS-THOMSON Microelectronics products are not authorized for use as critical components in life support devices or systems without express written approval of SGS-THOMSON Microelectronics.

© 1997 SGS-THOMSON Microelectronics - Printed in Italy - All Rights Reserved

SGS-THOMSON Microelectronics GROUP OF COMPANIES
Australia - Brazil - Canada - China - France - Germany - Hong Kong - Italy - Japan - Korea - Malaysia - Malta - Morocco - The Netherlands -
Singapore - Spain - Sweden - Switzerland - Taiwan - Thailand - United Kingdom - U.S.A
...