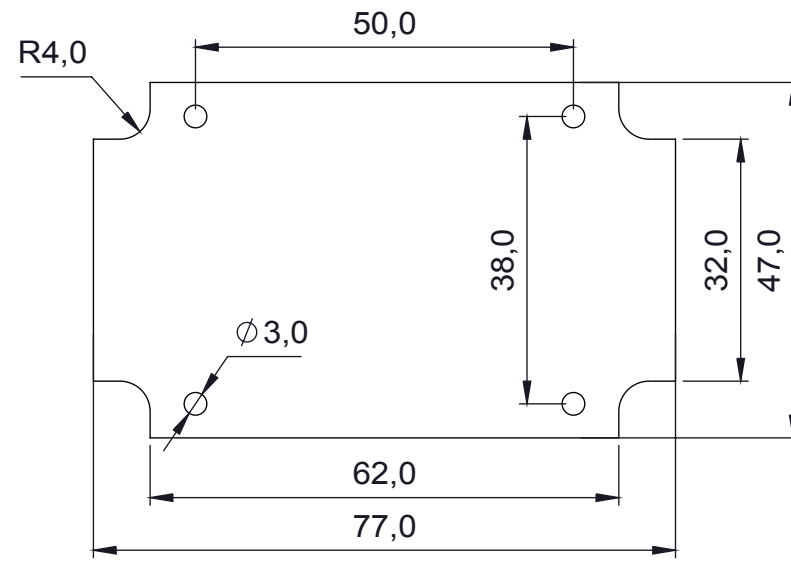
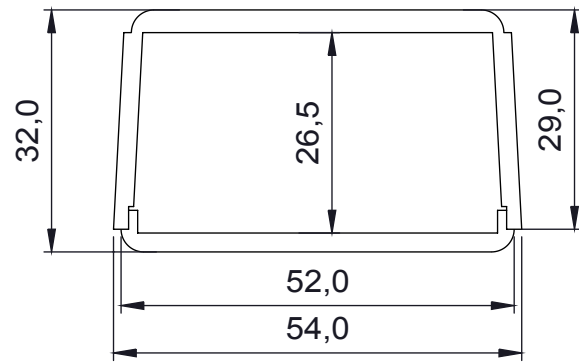


Kapak



PCB sample

Gövde

PROPRIETARY AND CONFIDENTIAL <small>THE INFORMATION CONTAINED IN THIS DRAWING IS THE SOLE PROPERTY OF ALTRINKAYA ENCLOSURES. ANY REPRODUCTION IN PART OR AS A WHOLE WITHOUT THE WRITTEN PERMISSION OF ALTRINKAYA ENCLOSURES IS PROHIBITED.</small>		ARTICLE NO:	REVISION:
DRAWN	Dursun Daşdemir	DATE	31.07.08
CHECKED	Ali Altınışık	DATE	31.07.08
COMMENTS: <small>DIMENSIONS ARE IN MILLIMETRES, DEBUR AND BREAK SHARP EDGES</small>		TITLE: HH-012 EI Tipi Kutu HH-012-A EI Tipi Kutu	
MATERIAL:		DWG NO:	A3
WEIGHT:	SCALE: 1:1	SHEET 1 OF 1	