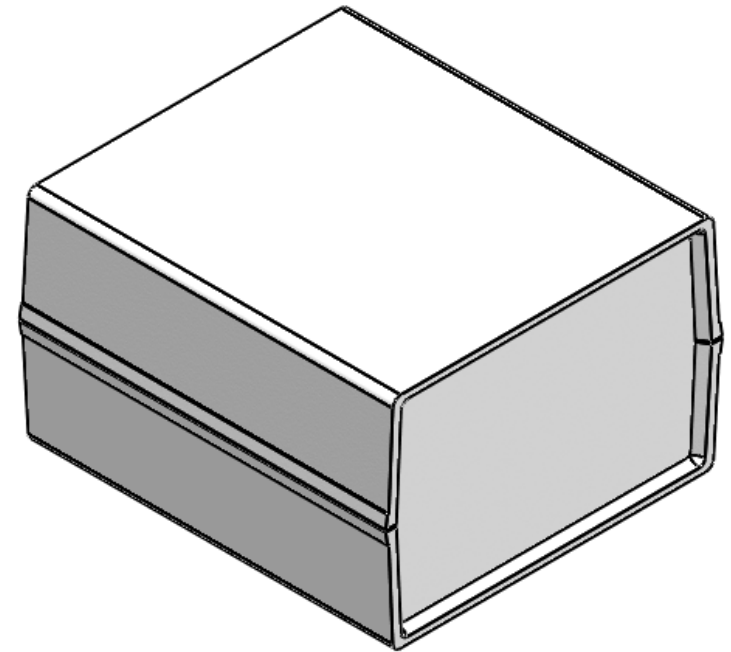
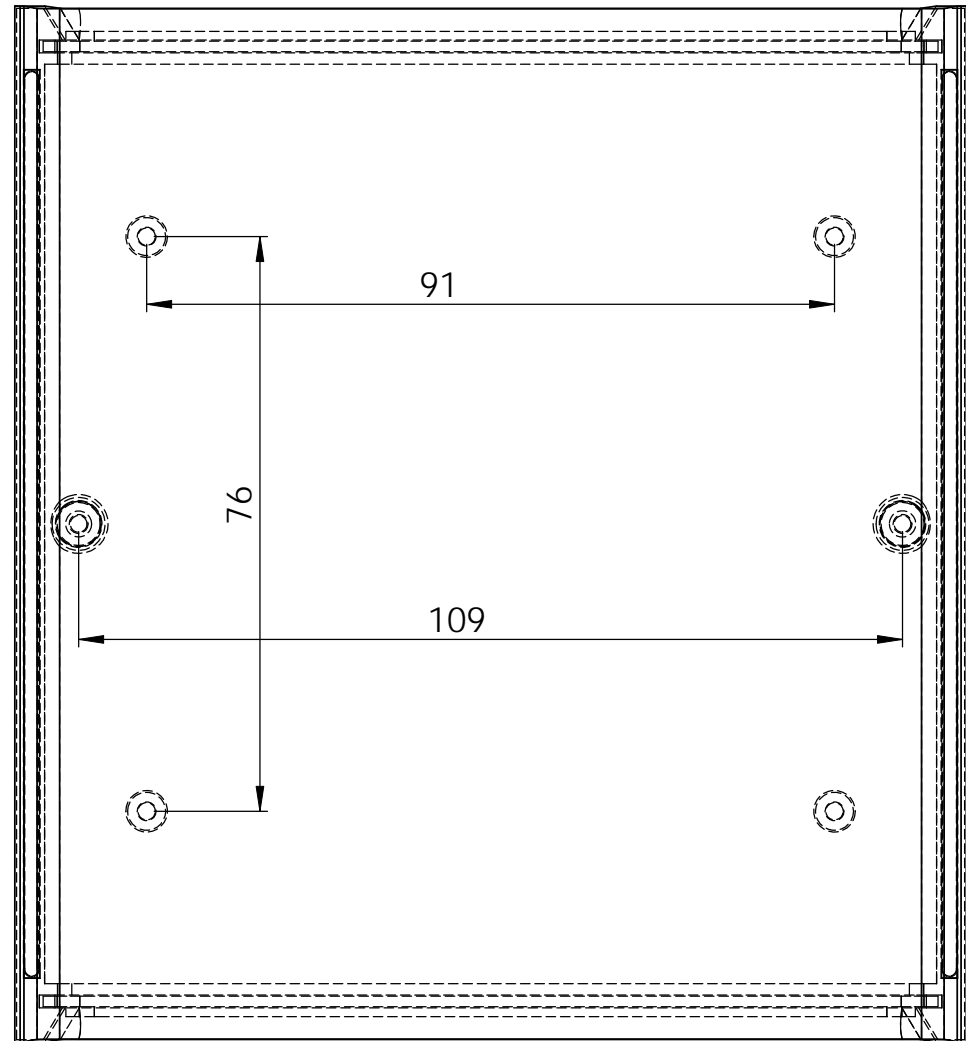
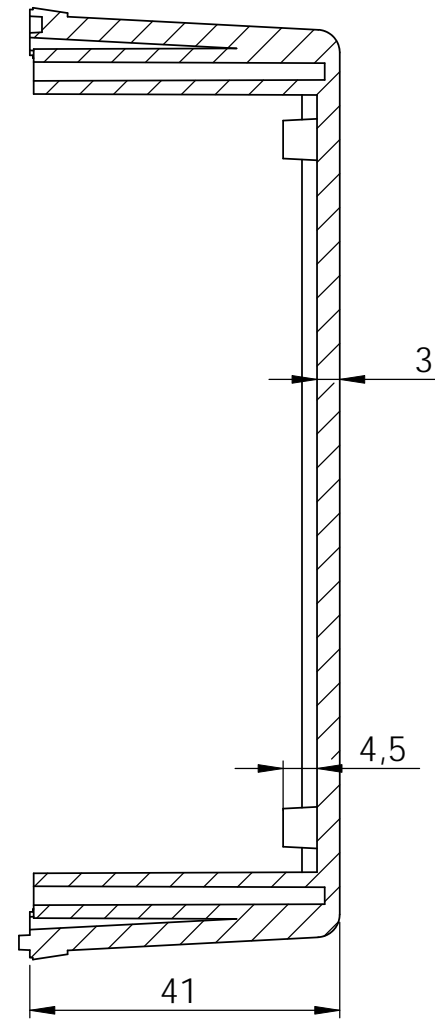
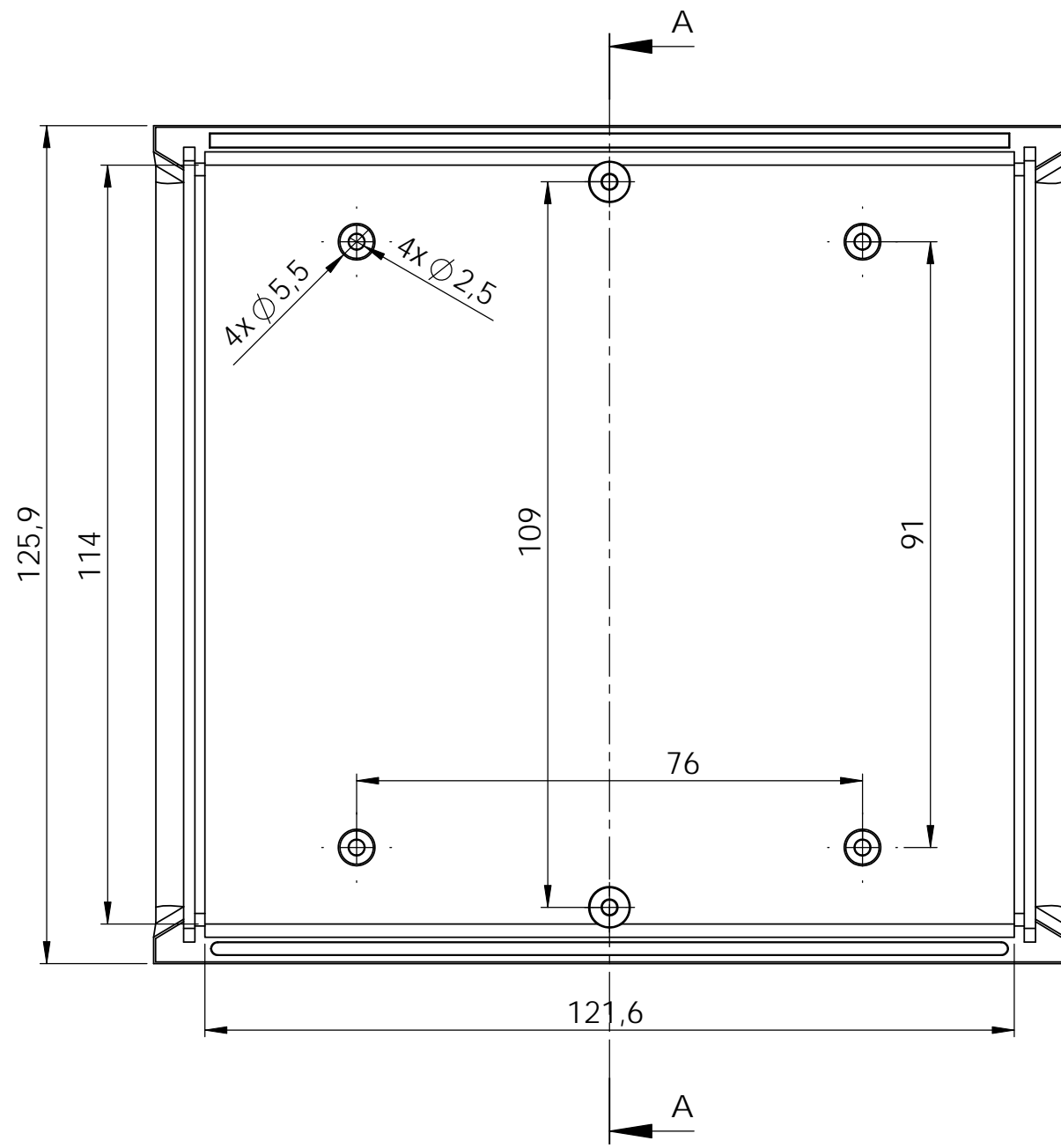


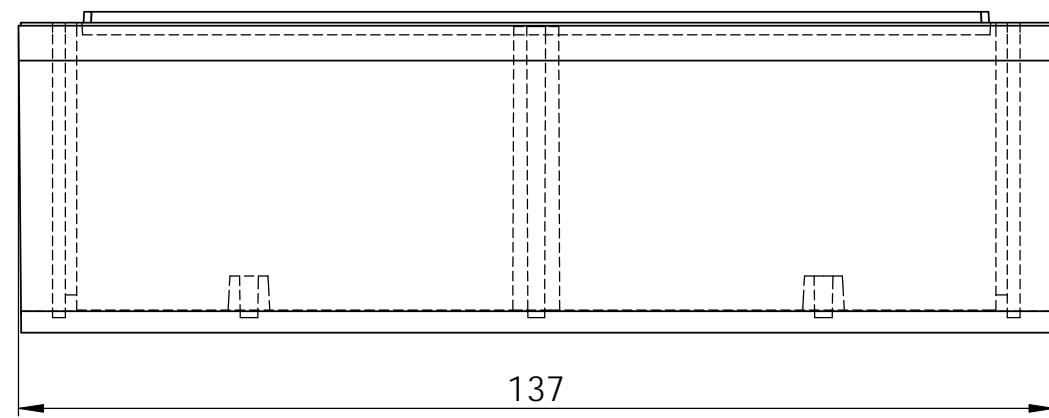
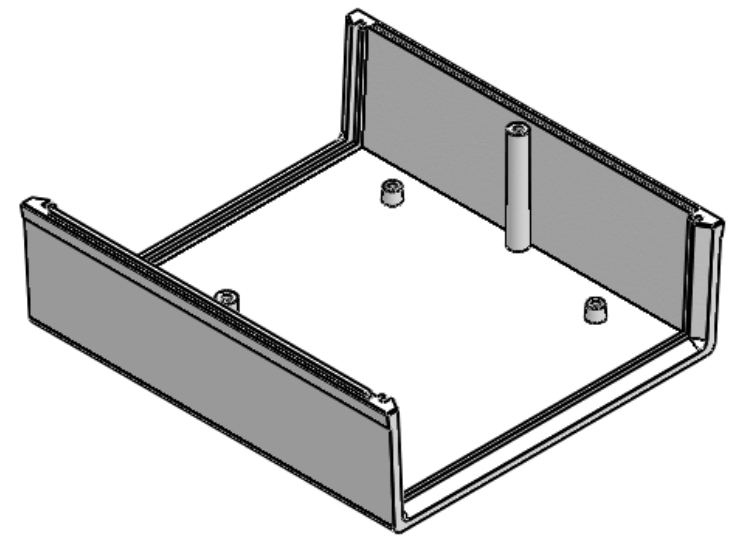
KESIT A-A



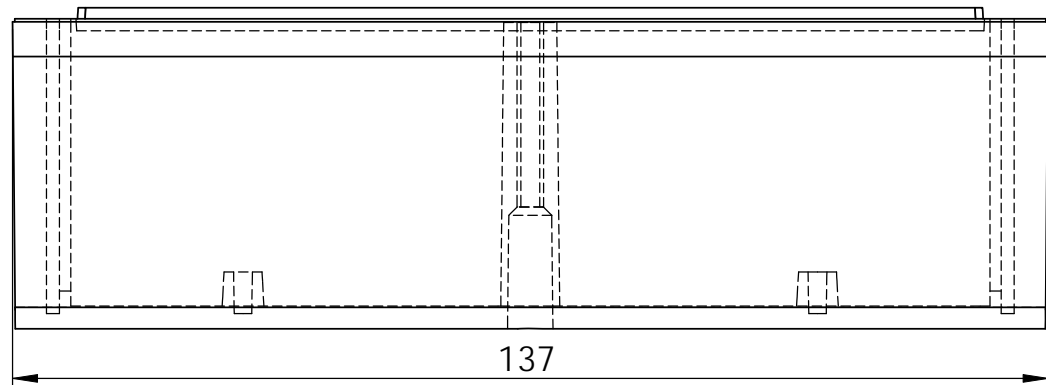
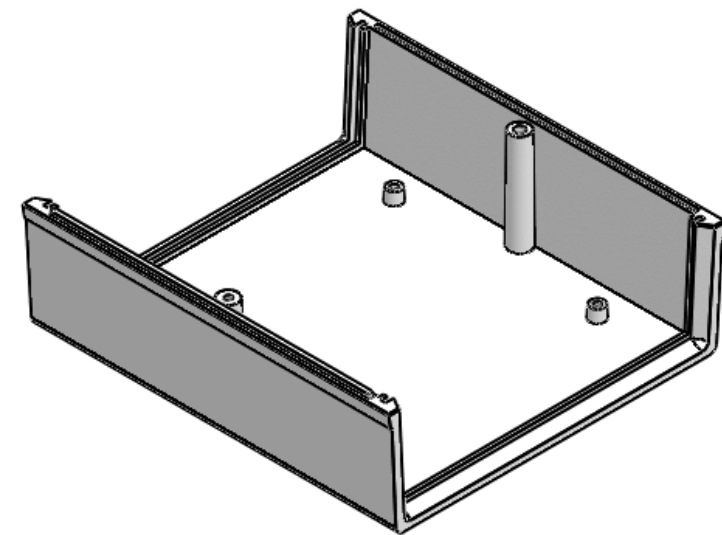
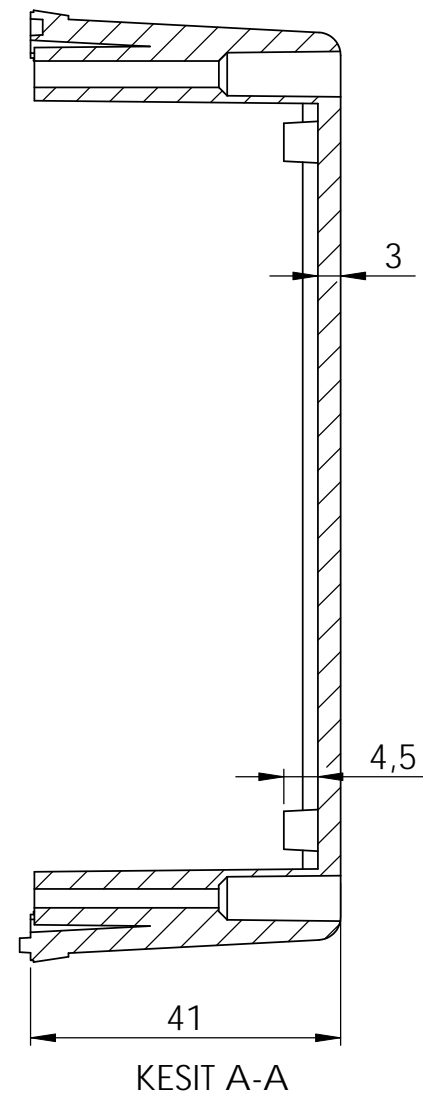
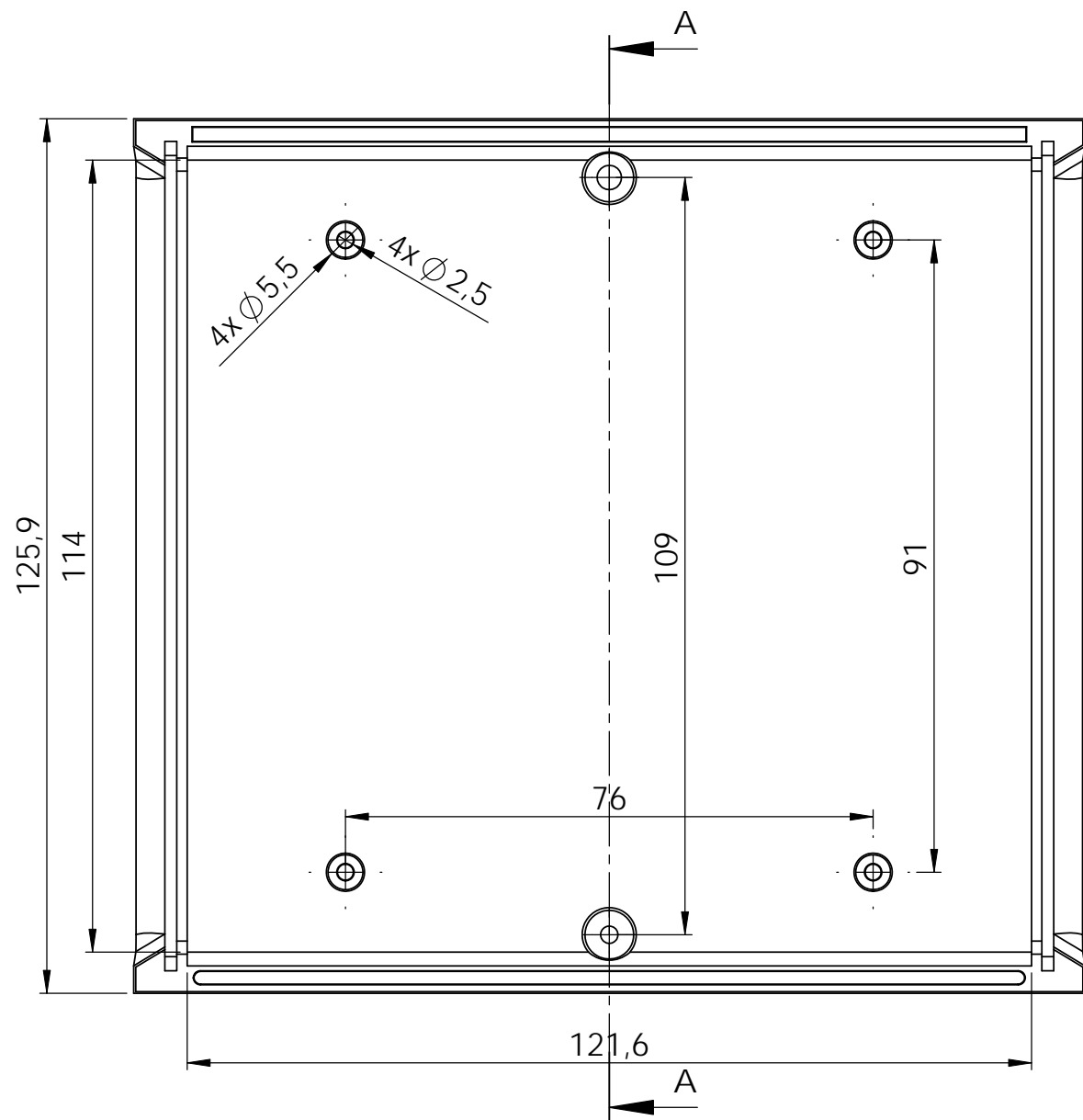
<small>PROPRIETARY AND CONFIDENTIAL THE INFORMATION CONTAINED IN THIS DRAWING IS THE SOLE PROPERTY OF ALTINKAYA ENCLOSURES. ANY REPRODUCTION IN PART OR AS A WHOLE WITHOUT THE WRITTEN PERMISSION OF ALTINKAYA ENCLOSURES IS PROHIBITED.</small>			ARTICLE NO.:	REVISION:
DRAWN	Dursun Daşdemir	22.05.10	TITLE:	
CHECKED	Ali Altınışık	22.05.10	Desktop Project Enclosure	
COMMENTS:			DWG NO.	A3
MATERIAL:			DT-0909-0-0-G-0	
WEIGHT:			SCALE:1:1	SHEET 1 OF 1



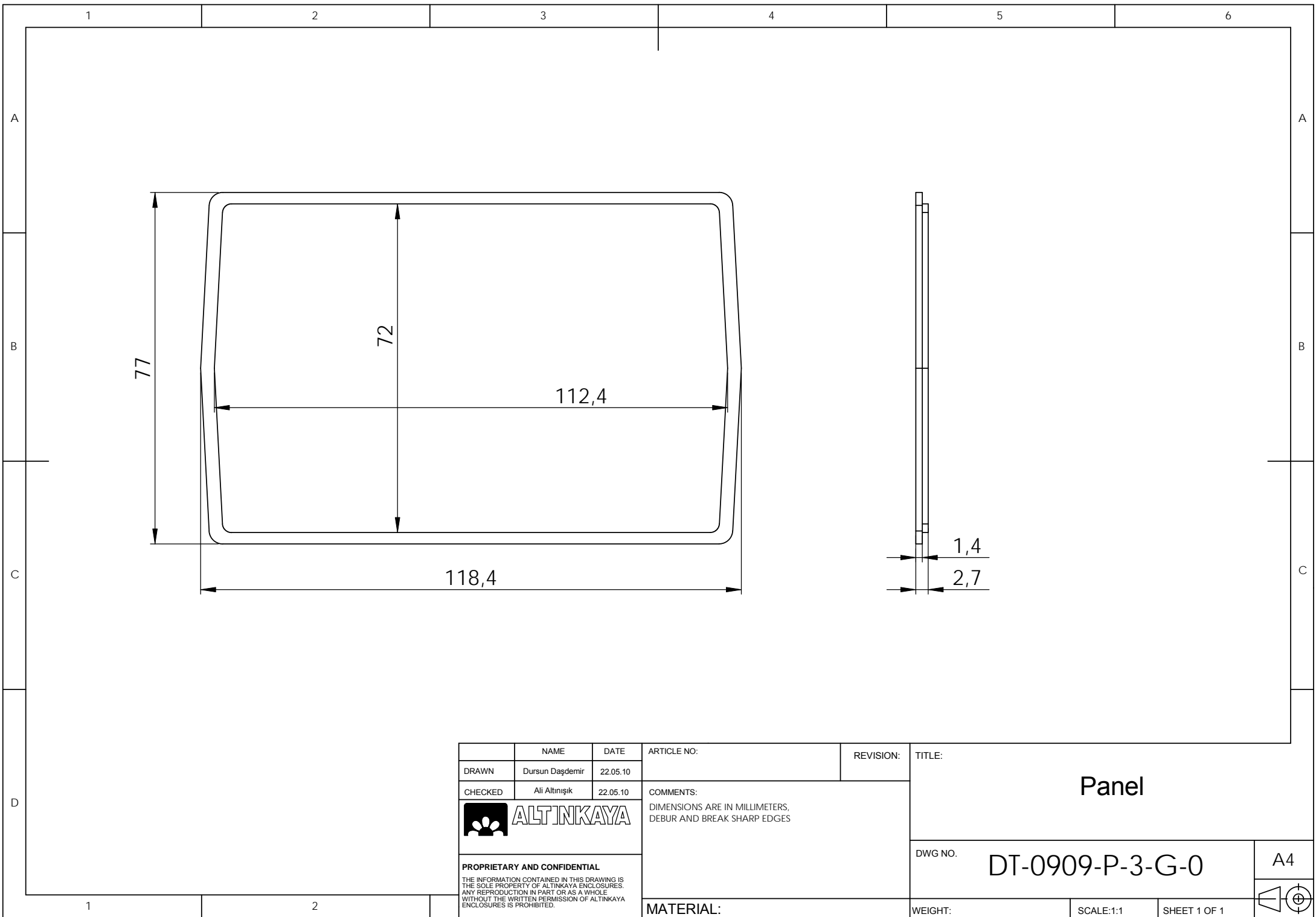
KESIT A-A




<small>PROPRIETARY AND CONFIDENTIAL. THE INFORMATION CONTAINED IN THIS DRAWING IS THE SOLE PROPERTY OF ALTINKAYA ENCLOSURES. ANY REPRODUCTION IN PART OR AS A WHOLE WITHOUT THE WRITTEN PERMISSION OF ALTINKAYA ENCLOSURES IS PROHIBITED.</small>			ARTICLE NO.:	REVISION:
DRAWN	Dursun Daşdemir	22.05.10	TITLE:	
CHECKED	Ali Altınışık	22.05.10	Cover	
COMMENTS:			DWG NO.	A3
MATERIAL:			DT-0909-P-1-G-0	
WEIGHT:			SCALE:1:1	SHEET 1 OF 1



<small>PROPRIETARY AND CONFIDENTIAL. THE INFORMATION CONTAINED IN THIS DRAWING IS THE SOLE PROPERTY OF ALTINKAYA ENCLOSURES. ANY REPRODUCTION IN PART OR AS A WHOLE WITHOUT THE WRITTEN PERMISSION OF ALTINKAYA ENCLOSURES IS PROHIBITED.</small>			ARTICLE NO.:	REVISION:						
<table border="1"> <tr> <th>NAME</th> <th>DATE</th> </tr> <tr> <td>Dursun Daşdemir</td> <td>22.05.10</td> </tr> <tr> <td>Ali Altınışık</td> <td>22.05.10</td> </tr> </table>			NAME	DATE	Dursun Daşdemir	22.05.10	Ali Altınışık	22.05.10		
NAME	DATE									
Dursun Daşdemir	22.05.10									
Ali Altınışık	22.05.10									
COMMENTS:			TITLE: Base							
MATERIAL:			DWG NO. DT-0909-P-2-G-0	A3						
WEIGHT:			SCALE:1:1	SHEET 1 OF 1						



	NAME	DATE	ARTICLE NO:	REVISION:	TITLE:
DRAWN	Dursun Daşdemir	22.05.10			Panel
CHECKED	Ali Altınışık	22.05.10	COMMENTS:		
			DIMENSIONS ARE IN MILLIMETERS, DEBUR AND BREAK SHARP EDGES		
PROPRIETARY AND CONFIDENTIAL <small>THE INFORMATION CONTAINED IN THIS DRAWING IS THE SOLE PROPERTY OF ALTINKAYA ENCLOSURES. ANY REPRODUCTION IN PART OR AS A WHOLE WITHOUT THE WRITTEN PERMISSION OF ALTINKAYA ENCLOSURES IS PROHIBITED.</small>			MATERIAL:		DWG NO. DT-0909-P-3-G-0 A4
			WEIGHT:		SCALE:1:1 SHEET 1 OF 1

